

L.B.WHITE



IMPROVED

H-40 High Pressure Radiant Heat Brooders

The best value in high quality, dependable poultry heating.



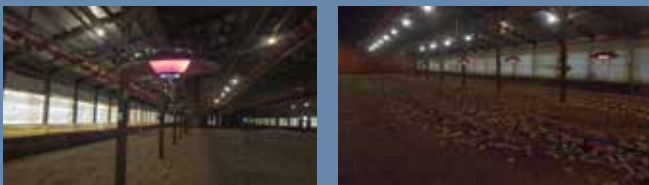
Cost Effective Plumbing

The H-40's higher pressure allows you to use smaller piping to push the LP or Natural Gas to the brooders, saving you money.



Filter-Free

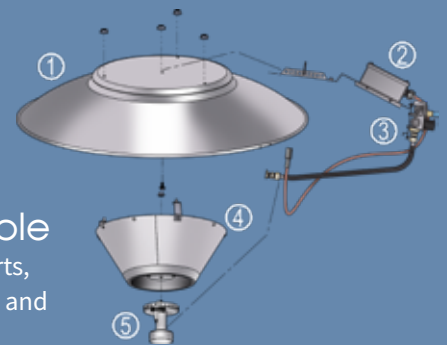
The H-40 was designed to have no additional accessories to clean, providing you with less hassle, and easier maintenance.



Withstands Harsh Conditions

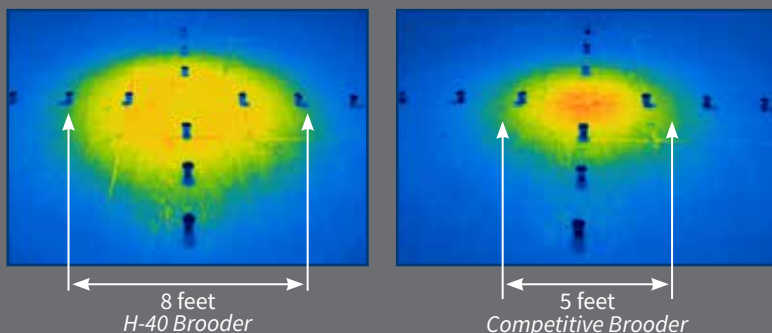
The H-40 features:

- Stainless Steel Construction
- Hardwired Gas Valve
- Flexible Gas Manifold Tube
- Sealed Box with Gasket



Easy to Assemble

The H-40 is only five parts, making assembly quick and straightforward.



Wide, Consistent Heating Area

The H-40 produces a wider, more temperature consistent heat zone than leading competitive low pressure brooders, giving birds more options to find their comfort zone.

Pictures shown at left are taken after 5 minutes in identical lab tests. Typical run time of a brooder after pre-heat is 3 to 5 minutes.

H-40 High Pressure Radiant Brooder Specifications

Model Numbers	H-40
Input (Btu/h)	40,000
Heater Configurations Available - Spark Ignition	Yes
Installation Height: (ft.) - Broilers - Turkeys	5 - 6 4.5 - 5.5
Center Spacing (ft.)	25 - 40
Inlet Gas Supply Pressure: - Propane (inches of W.C.) - Natural Gas (inches of W.C.)	5 psi
Fuel Consumption (max.): - Liquid Propane Gas (lbs/hr) - Natural Gas (cu. ft/hr)	1.85 40.0
Ventilation (CFM)	468
Temperature Controls Available: - Wired to House Environmental Control	Yes
Electrical Requirements: - Spark Ignition	120 VAC / 60HZ
Minimum Clearance to Combustibles (inches) - Top - Side - Below	14 36 54
Dimensions (in.): - Height - Canopy Diameter	14 31.5
Net Weight (lbs.)	14.0
Canopy:	Polished Aluminum
Stainless Steel Radiant Emitter:	S
1/4" x 6' Gas Hose (up to 25 ft.)	O
Regulator (Zone Control Panel):	O
Gas Cock and Piping Hardware:	O
CSA Certified (USA and Canada)	Yes

S=Standard
O=Optional



Innovative Climate Solutions

411 Mason Street, Onalaska, WI 54650
800 345 7200 (toll free) or 608 783 5691
608 783 6115 (fax)
info@lbwhite.com | www.lbwhite.com

Your L.B. White Dealer:



© 2019 L.B. White Company
All rights reserved.
All specifications are subject
to change without notice.